

Tanaka Illustrated Parts Manual

Model Number:

ECS-3301/B
32cc CHAINSAW

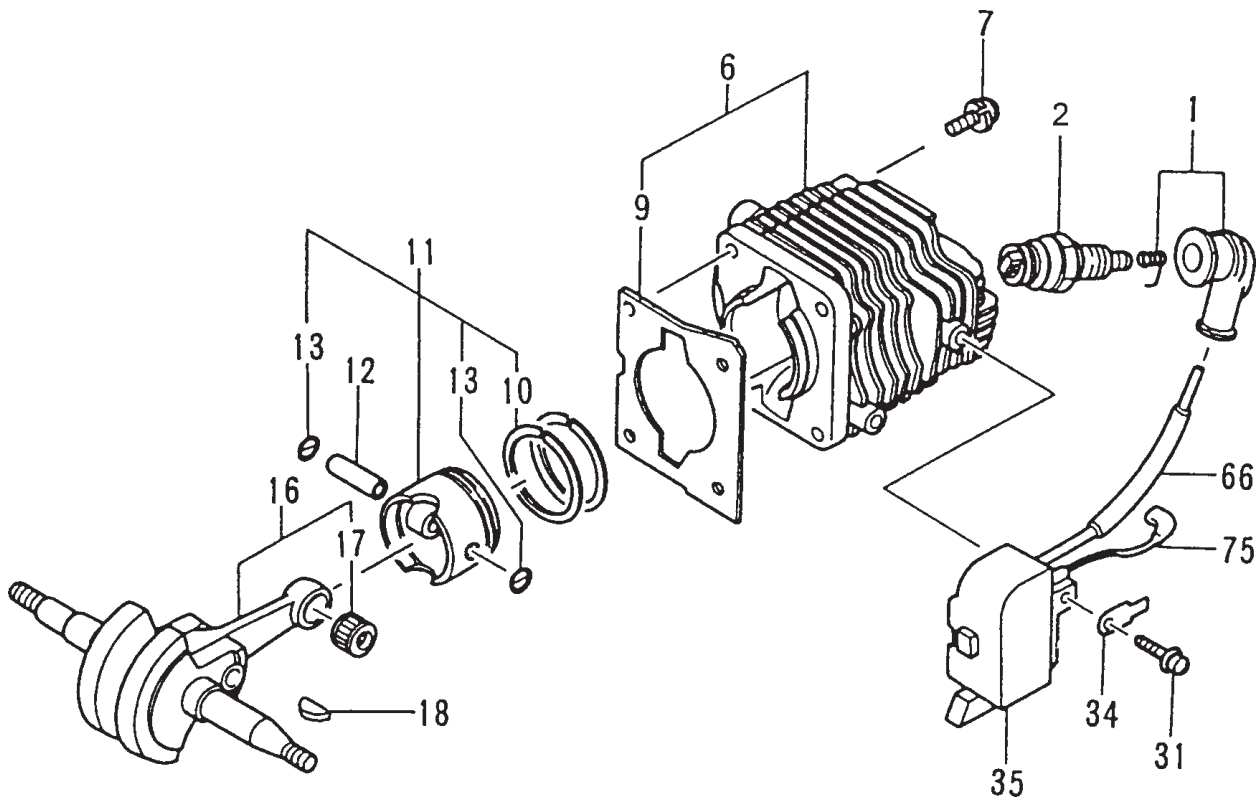
P/N 40135

Rev 000

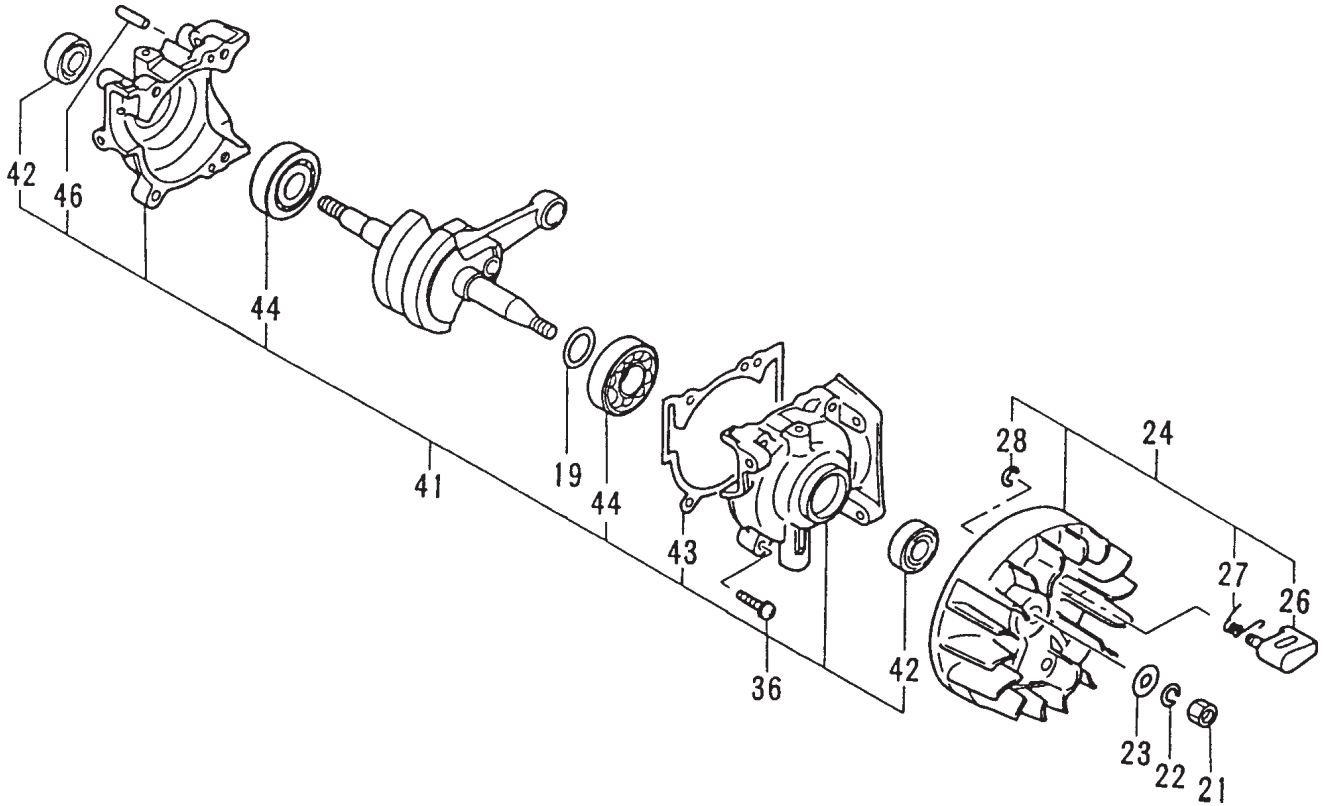
Date 5-14-07



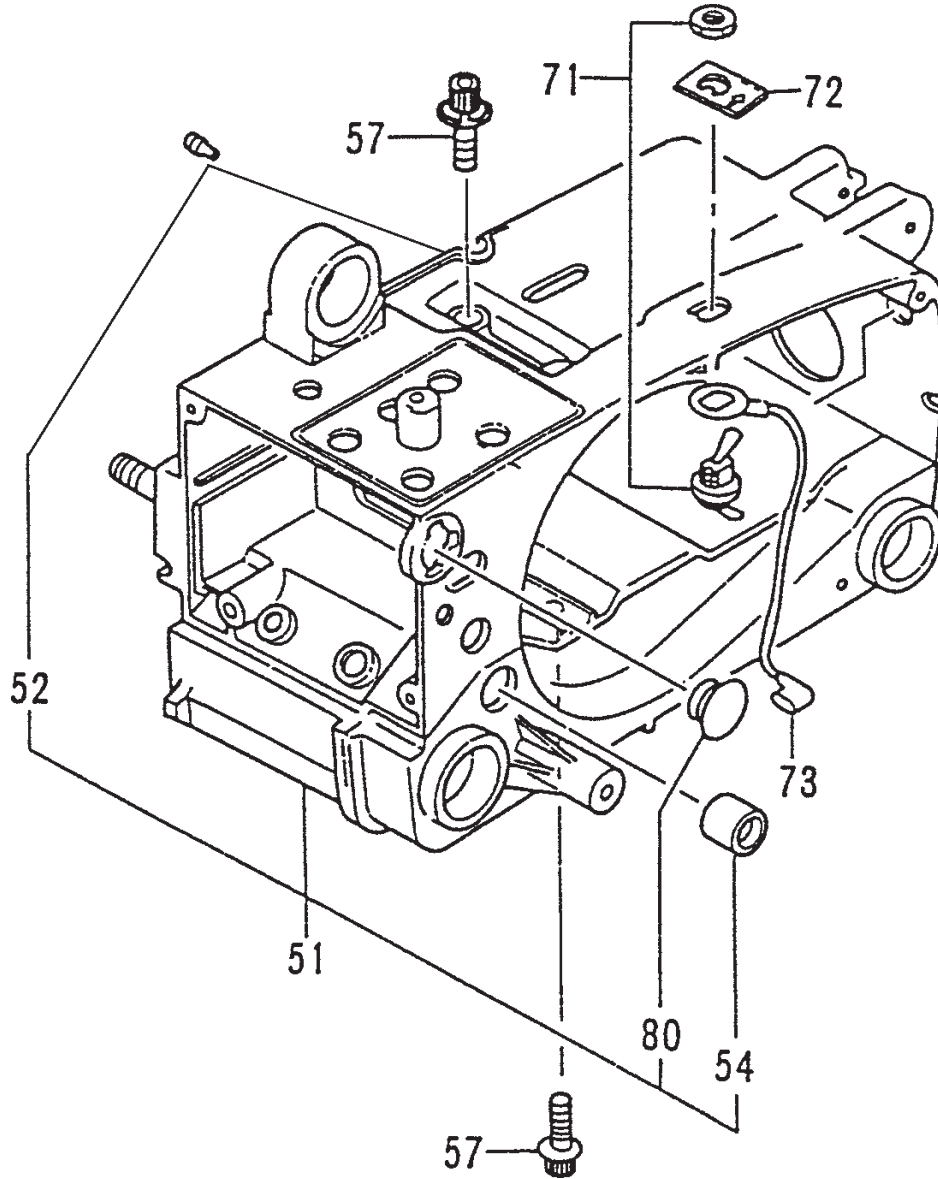
Nikko Tanaka Engineering U.S.A.,Ltd. • 1028 4th Street SW, Bldg B • Auburn, WA 98001 • Phone: (253) 333-1200 • Fax: (253) 333-1212



ITEM	PART NUMBER	DESCRIPTION	QTY	COMMENTS
1-1	15711666900	CAP,SPARK PLUG	1	
1-2	01801805200	PLUG,SPARK	1	
1-6	0010174090	CYLINDER SET	1	~R232011 Includes cylinder gasket
1-6	0010174091	CYLINDER SET	1	R232012~ Includes cylinder gasket
1-7	99461050164	BOLT,HEX,5X16,S	4	
1-9	0170174020	GASKET,CYLINDER	1	
1-10	04101730200	RING,PISTON	2	
1-11	0300174090	PISTON SET	1	~R232011 Includes rings and circlips
1-11	0300174190	PISTON SET	1	R232012~ Includes rings and circlips
1-12	03701400200	PIN,PISTON	1	
1-13	03900000201	CIRCLIP,PISTON PIN	2	
1-16	0460174080	CRANKSHAFT	1	
1-17	99962091325	BEARING,NEEDLE,F-910	1	
1-18	06810100200	KEY,WOODRUFF,3X13X4.5	1	
1-31	99416040186	SCREW,WS,4X18	2	
1-34	20501700200	TAB,TERMINAL	1	
1-35	1672152980	COIL,IGNITION	1	~S039107
1-35	1672154080	COIL,IGNITION	1	S039108~
1-66	75532050200	TUBE,CORD	1	
1-75	1780174080	CORD,STOP	1	

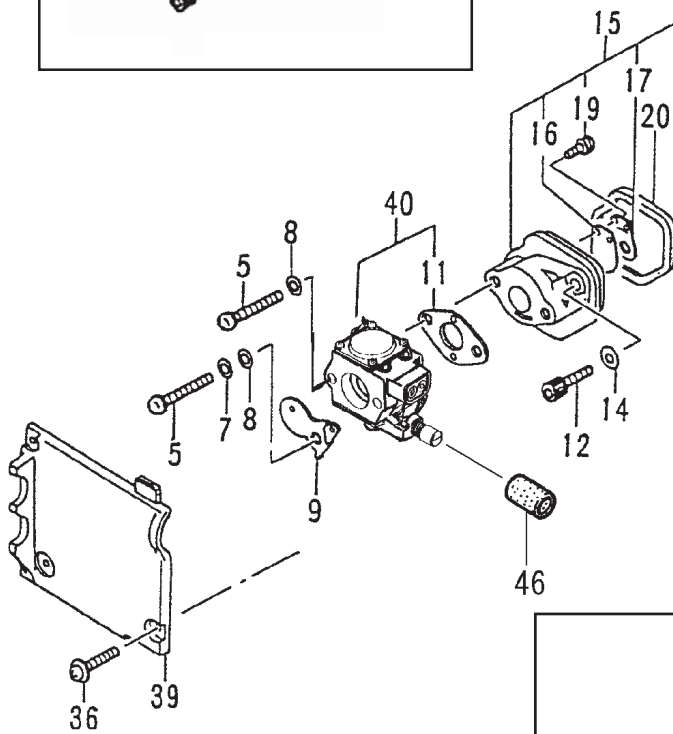
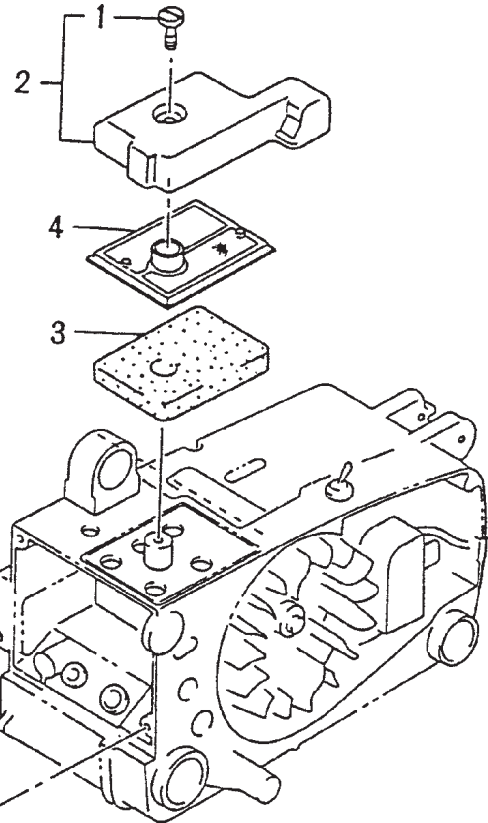
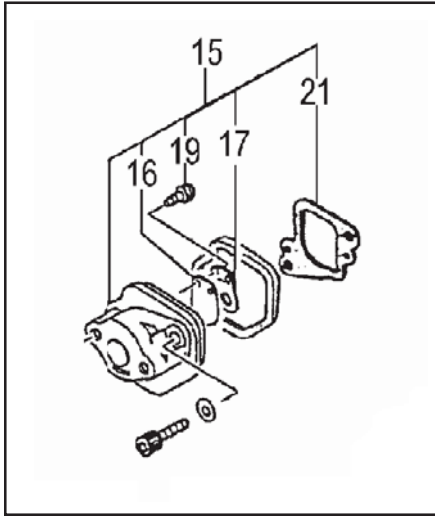


ITEM	PART NUMBER	DESCRIPTION	QTY	COMMENTS
2-19	0710406321	SHIM,CRANKSHAFT,0.1	V	
2-19	0710406323	SHIM,CRANKSHAFT,0.2	V	
2-19	0710406324	SHIM,CRANKSHAFT,0.3	V	
2-19	0710406325	SHIM,CRANKSHAFT,0.4	V	
2-21	06600000200	NUT,FLYWHEEL	1	
2-22	99210070012	WASHER,S,7	1	
2-23	99201070011	WASHER,7	1	
2-24	1552152991	ROTOR,MAGNETO	1	~S039107
2-24	1552154090	ROTOR,MAGNETO	1	S039108~
2-26	7880174020	PAWL,STARTER	2	
2-27	7900174020	SPRING,STARTER PAWL	2	
2-28	99355040001	RING,STOP	2	
2-36	99461050204	BOLT,HEX,HOLE,5X20,S	4	
2-41	0720174093	CRANKCASE,ASS'Y	1	~C110350 - Incl brgs, seals and gasket
2-41	0720174094	CRANKCASE,ASS'Y	2	C110351~ Incl brgs, seals and gasket
2-42	99966122240	SEAL,OIL,#12227	2	
2-43	0900174021	GASKET,CRANKCASE	1	~Y211450
2-43	0900174120	GASKET,CRANKCASE	1	Y211451 to C110350
2-43	0900174G20	GASKET,CRANKCASE	2	C110351~
2-44	99961620106	BEARING,BALL,#6201	2	
2-46	99905250980	ROLLER,NEEDLE,2.5X9.8	1	

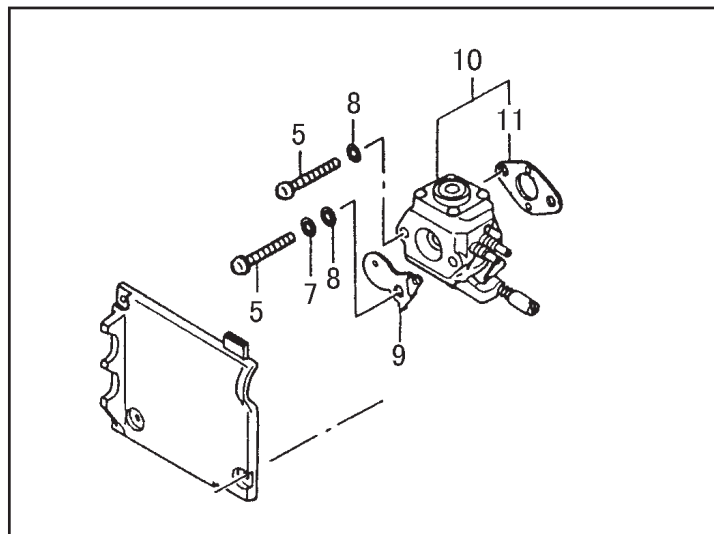


ITEM	PART NUMBER	DESCRIPTION	QTY	COMMENTS
3-51	5603291090	CASE,ENGINE	1	
3-52	56204060200	VALVE,AIR VENT,B	1	
3-54	6450175090	AIR VENT VALVE SET	1	
3-57	99463050204	BOLT,HEX 5X20	4	
3-71	16201570900	SWITCH,STOP,ASS'Y	1	
3-72	18301300200	NAME PLATE,SWITCH	1	
3-73	27401700800	CORD,EARTH	1	
3-80	0523290021	GROMMET,A	1	

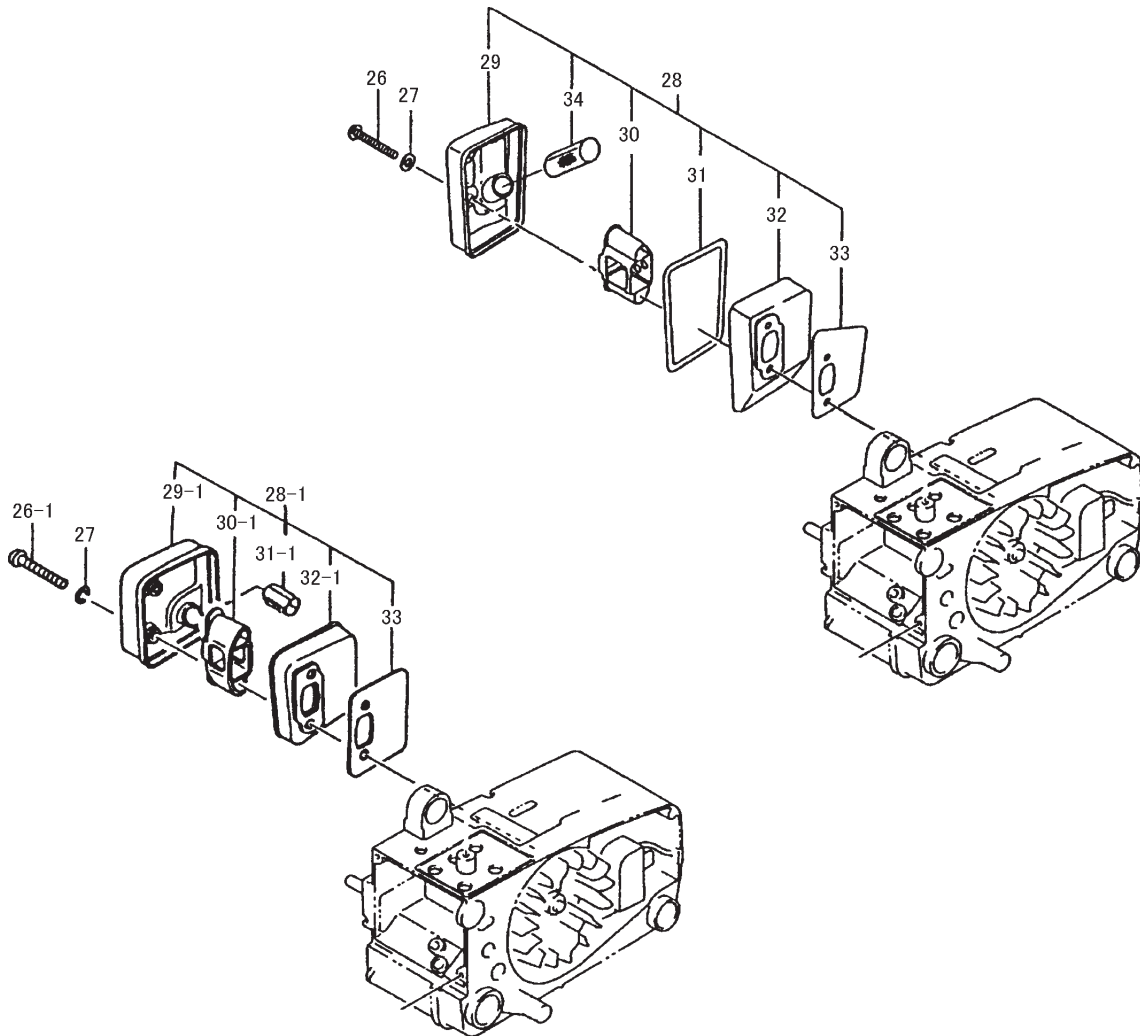
Units after serial number
C110351~



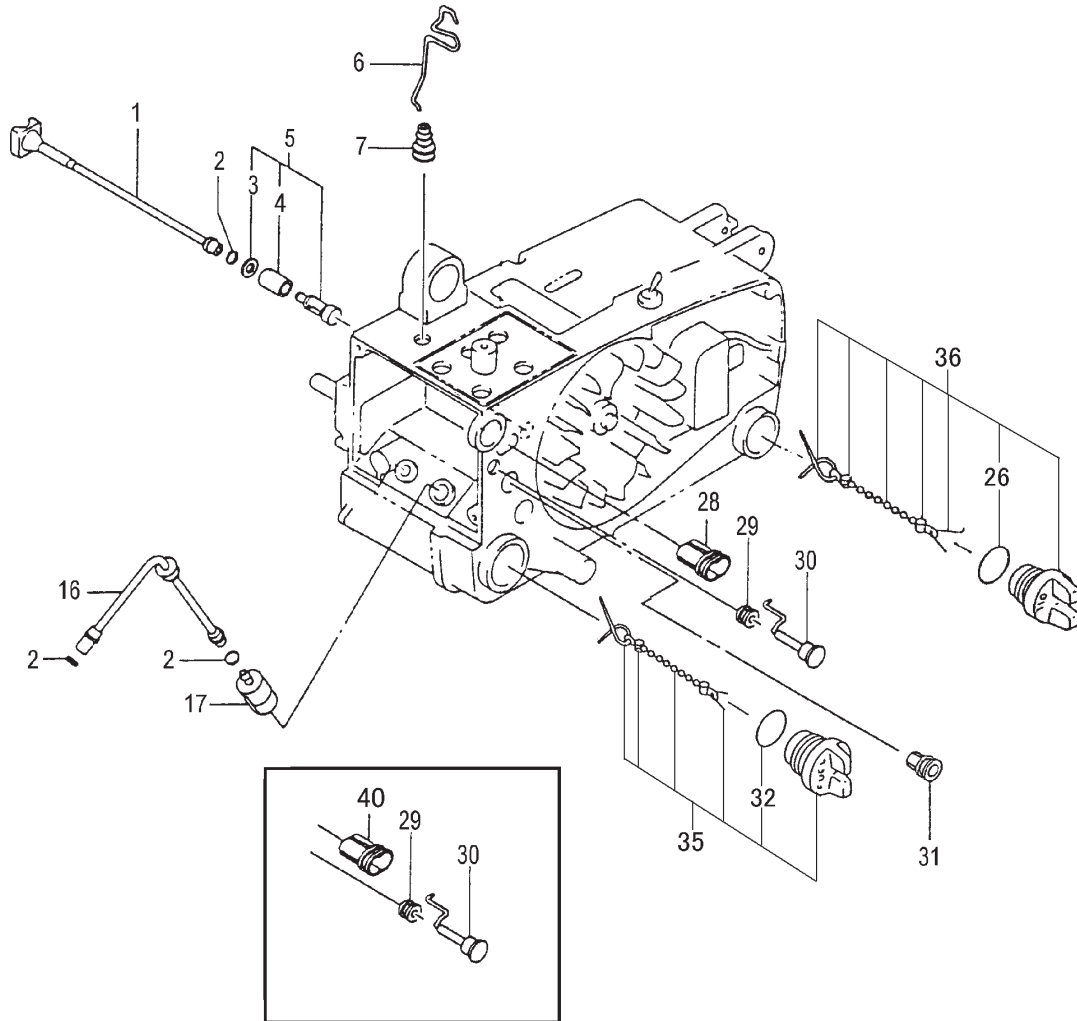
Units before serial number
~T017501



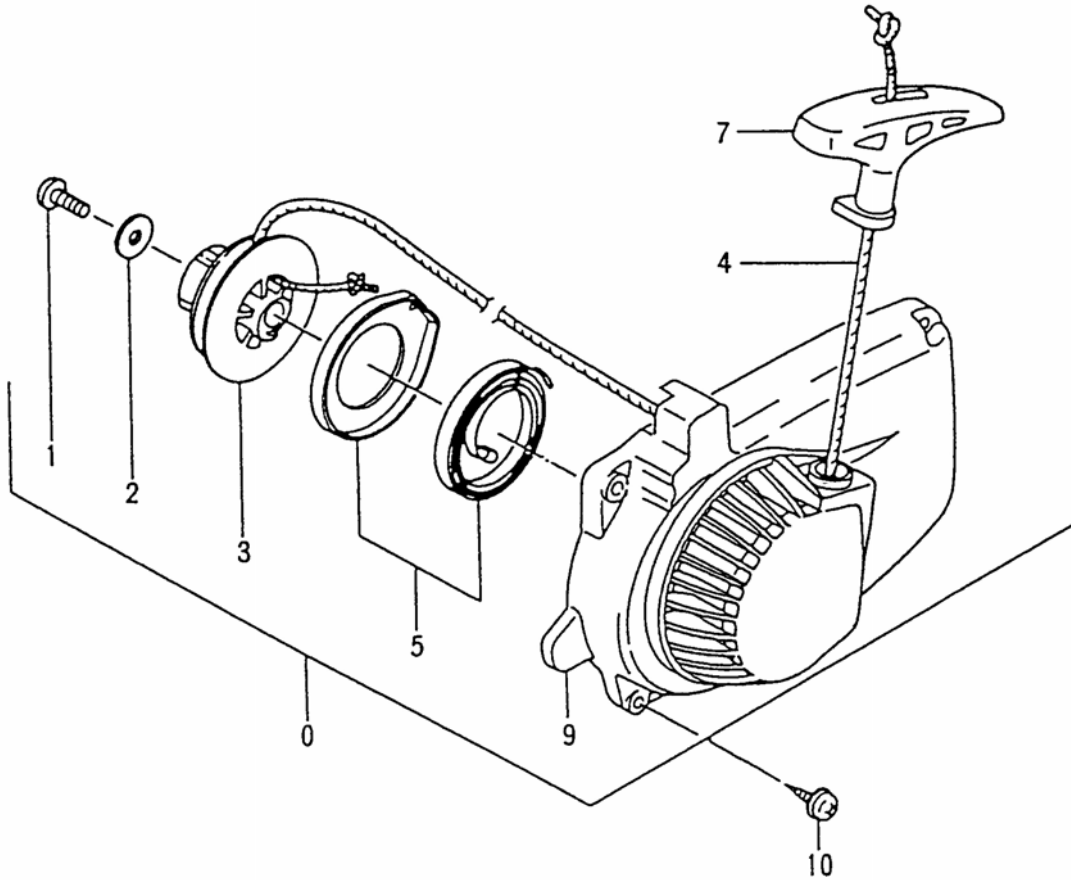
ITEM	PART NUMBER	DESCRIPTION	QTY	COMMENTS
4-1	3800631A200	BOLT,CLEANER COVER	1	
4-2	0513290091	SET,CLEANER COVER	1	
4-3	4460174020	FILTER,AIR-FOAM	1	R032271~
4-4	4200174080	ELEMENT,CLEANER	1	
4-5	99414050451	SCREW,5X45/S	2	
4-7	99200050011	WASHER,SMALL,5	1	
4-8	70832350200	SHIM,5.2X8X.80	2	
4-9	7003291820	VALVE,CHOKE,4.0	1	
4-10	4553290091	CARBURETOR SET	1	~T017501 Includes gasket
4-11	4020174020	GASKET,CARBURETOR	1	
4-12	99461050204	BOLT,HEX,HOLE,5X20,S	2	
4-14	99200050011	WASHER,SMALL,5	2	
4-15	4040174091	SET,INSULATOR	1	~C110350
4-15	4040174G90	SET,INSULATOR	1	C110351~
4-16	39401700200	VALVE,REED	1	~C110350
4-16	3940174G20	VALVE,REED	1	C110351~
4.17	3950173020	HOLDER,REED VALVE	1	~C110350
4.17	3950174G20	HOLDER,REED VALVE	1	C110351~
4-19	99015030121	SCREW,3X12	2	
4-20	40901700200	RUBBER,CARB INSULATOR	1	
4-21	4030174021	GASKET,INLET MANIFOLD	1	~C110350
4-21	4030174G20	GASKET,INLET MANIFOLD	1	C110351~
4-36	99075045144	SCREW, TAPPING,4X14	3	
4-39	1523290J21	COVER,CLEANER B	1	
4-40	4553290G91	CARBURETOR SET	1	T017501~ Includes gasket
4-45	1290173020	COVER,SEAL	1	
4-46	1913297020	GROMMET,IDLE	1	Z179051~



ITEM	PART NUMBER	DESCRIPTION	QTY	COMMENTS
5-26-1	99011050351	SCREW,5X35	2	~R232011
5-26	99011050401	SCREW,5X40	2	R232012~
5-27	99201050011	WASHER,5	2	
5-28-1	7040171090	SET,MUFFLER	1	~R232011
5-28	7040174291	MUFFLER SET	1	R232012~
5-29-1	71701712800	BODY,MUFFLER,B	1	~R232011
5-29	7170174080	BODY,MUFFLER,B	1	R232012~
5-30-1	72401700200	METAL,MUFFLER FITTING	1	~R232011
5-30	7240170920	METAL,MUFFLER FITTING	1	~T128443
5-30	7240174220	MUFFLER METAL	1	T128444~
5-31-1	73201710200	ARRESTER,SPARK	1	~R232011
5-31	7320174020	ARRESTER,SPARK	1	R232012~
5-32-1	71601700800	BODY,MUFFLER A	1	~R232011
5-32	7160170980	BODY,MUFFLER A	1	R232012~
5-33	73701700200	GASKET,MUFFLER	1	
5-34	7390170920	GASKET,MUFFLER	1	R232012~

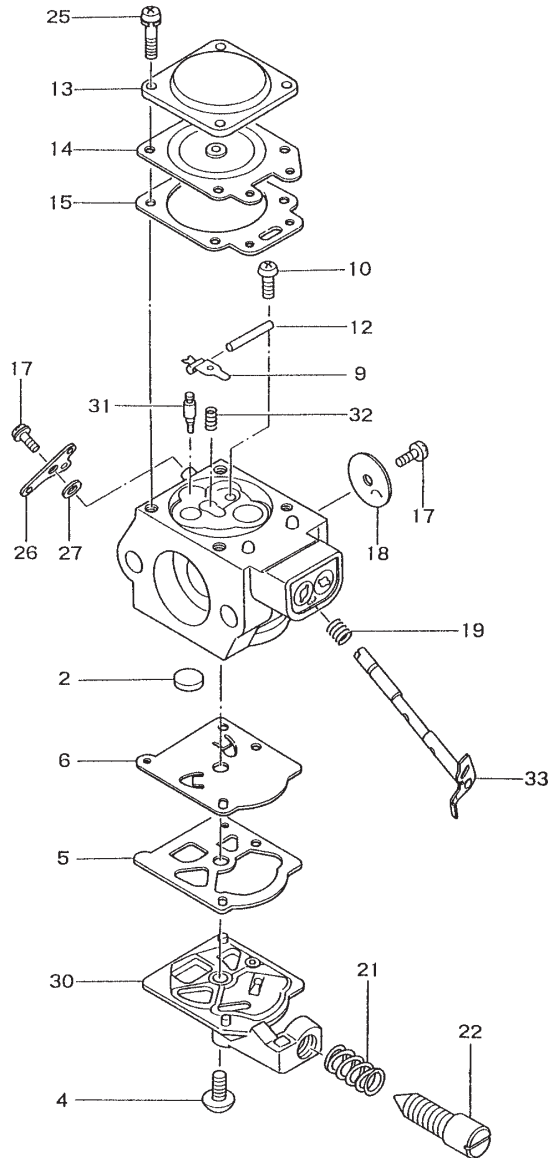


ITEM	PART NUMBER	DESCRIPTION	QTY	COMMENTS
6-1	50532710200	PIPE,OIL,B	1	
6-2	68004019210	CLIP,7	3	
6-3	99201050011	WASHER,5	1	
6-4	48732712201	FILTER,OIL	1	
6-5	4863271090	FILTER,ASS'Y	1	
6-6	4903291020	ROD,THROTTLE	1	
6-7	49132710200	GUIDE,THROTTLE	1	
6-16	6780174020	PIPE,RUBBER	1	
6-17	6750404280	FILTER,FUEL	1	
6-26	99967018000	O-RING,P18	1	
6-28	19032710200	CAP,ADJUSTER	1	
6-29	70732710200	GROMMET	1	
6-30	70432710800	BUTTON,CHOKE	1	
6-31	19132710200	GROMMET	1	
6-32	99967020000	O-RING,P20	1	
6-35	6353271990	CAP,FUEL ASS'Y	1	
6-36	6423271990	CAP,OIL TANK	1	
6-40	1903290G20	CAP,ADJUSTER	1	

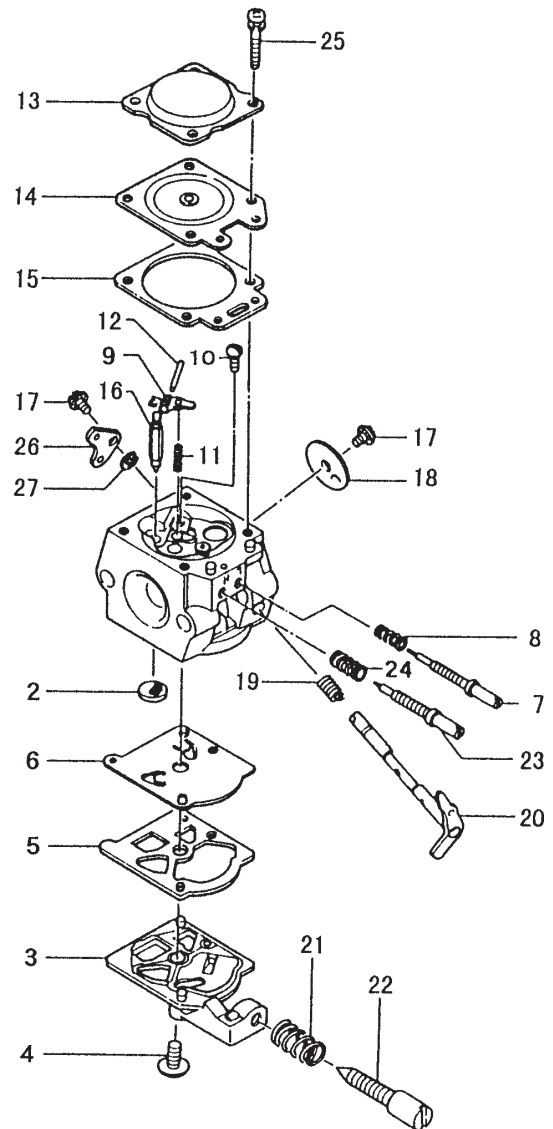


ITEM	PART NUMBER	DESCRIPTION	QTY	COMMENTS
7-0	7560174090	STARTER,RECOIL,ASS'Y	1	
7-1	99072050144	SCREW,TAPPING,5X14	1	
7-2	36832350200	WASHER,BRAKE SHAFT	1	
7-3	7740174020	PULLEY,STARTER	1	
7-4	7830174020	ROPE,STARTER,3X890	1	
7-5	7780174090	SPRING,RECOIL ASSY	1	
7-7	7850174020	HANDLE,STARTER	1	
7-9	1120174080	CASE,FAN	1	
7-10	99072045204	SCREW,TAPPING,4.5X20	4	

Units After Serial
No T017501~

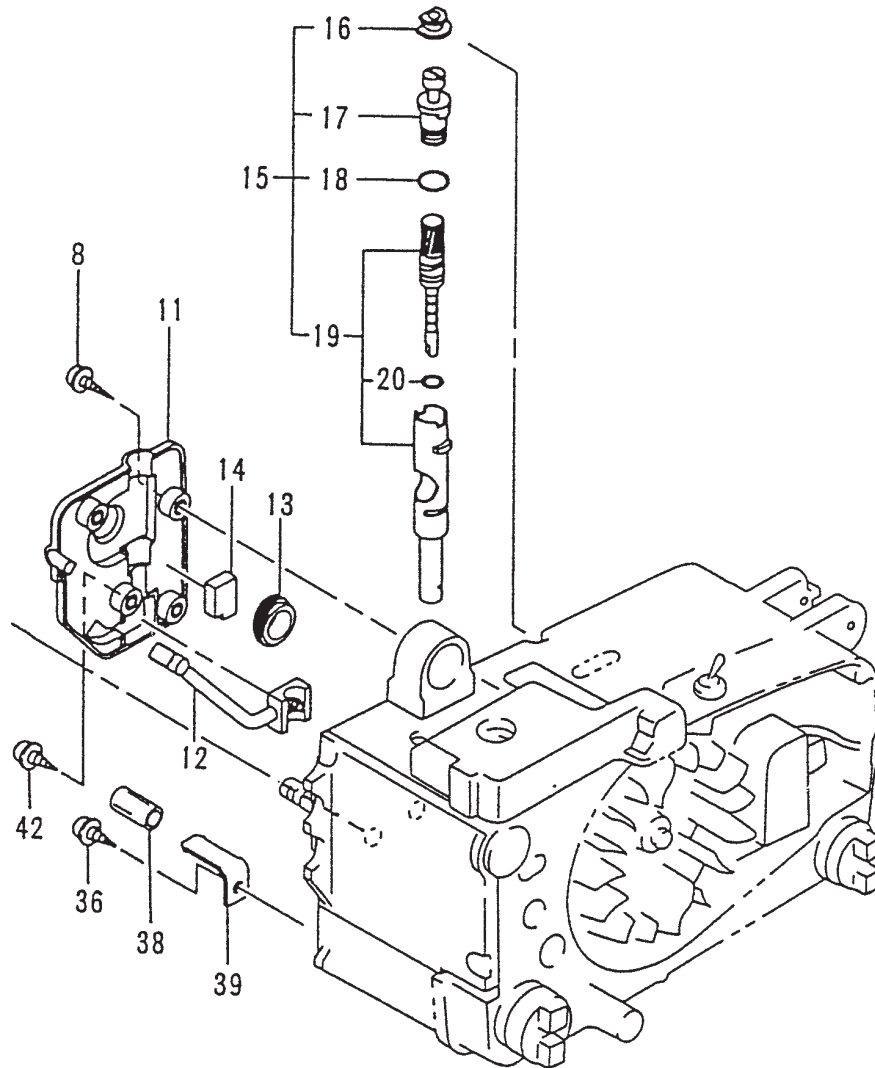


Units Prior to Serial
No ~T017501

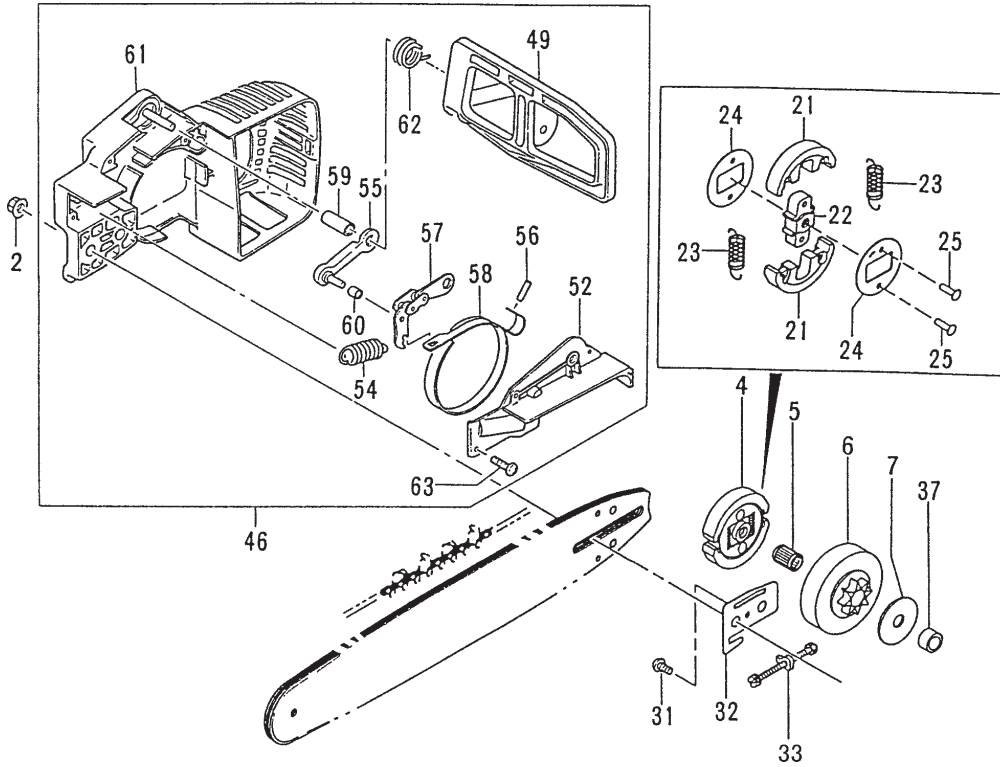


ITEM	PART NUMBER	DESCRIPTION	QTY	COMMENTS
8-0	4553290G91	CARBURETOR SET	1	T017501~ Includes gasket
8-2	57825007200	SCREEN,INLET	1	
8-4	51425001200	SCREW,SET	1	
8-5	~ ~ ~	GASKET,PUMP	1	~ Included in carb kits shown below.
8-6	~ ~ ~	DIAPHRAGM,PUMP	1	
8-9	47325001200	HINGE,VALVE	1	
8-10	54625001200	SCREW,SET,HINGE PIN	1	
8-12	60525001200	PIN,HINGE	1	
8-13	47625004200	COVER,DIAPHRAGM	1	
8-14	~ ~ ~	DIAPHRAGM,METERING	1	
8-15	~ ~ ~	GASKET,DIAPHRAGM	1	
8-21	46325006200	SPRING,IDLE ADJUST	1	
8-22	46225016200	SCREW,IDLE ADJUST	1	
8-25	54825012200	SCREW,SET	4	
8-30	57525006200	BODY,PUMP	1	
8-31	6032501220	NEEDLE VALVE	1	
8-32	4772508820	VALVE,SPRING	1	
	65025001910	KIT,CARB REPAIR	1	
	65225001900	KIT,GASKET/DIAPHRAGM	1	

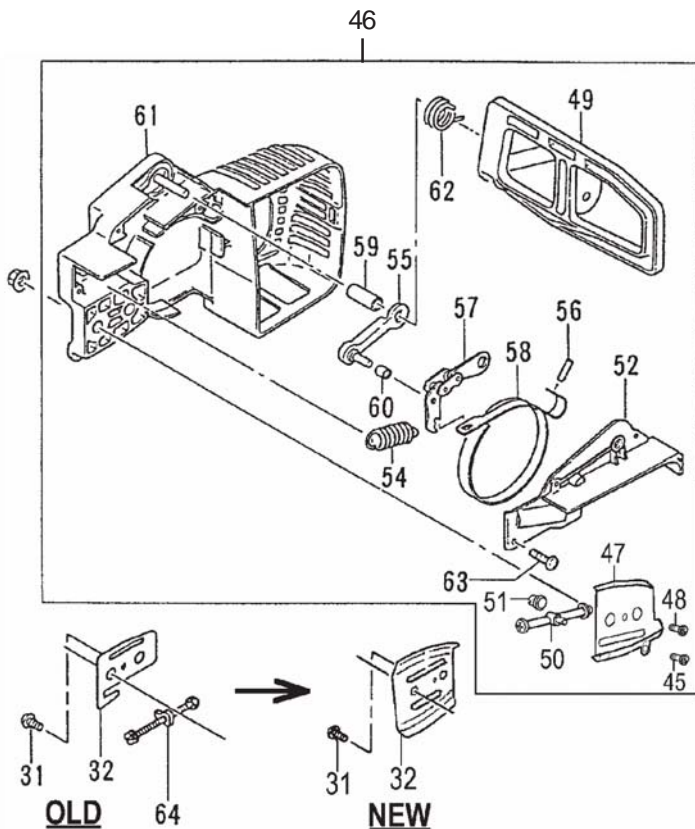
ITEM	PART NUMBER	DESCRIPTION	QTY	COMMENTS
9-0	4553290091	CARBURETOR SET	1	~T017501 Includes gasket
9-2	57825007200	SCREEN,INLET	1	
9-3	57525028200	BODY,PUMP	1	
9-4	51425001200	SCREW,SET	1	
9-5	~ ~ ~	GASKET,PUMP	1	~ Included in carb kits shown below.
9-6	~ ~ ~	DIAPHRAGM,PUMP	1	
9-7	46125027200	SCREW,LOW ADJUST	1	
9-8	62325032200	SPRING,ADJUST,HI/LOW	1	
9-9	47325001200	HINGE,VALVE	1	
9-10	54625001200	SCREW,SET,HINGE PIN	1	
9-11	4772508020	SPRING,VALVE	1	
9-12	60525001200	PIN,HINGE	1	
9-13	47625004200	COVER,DIAPHRAGM	1	
9-14	~ ~ ~	DIAPHRAGM,METERING	1	
9-15	~ ~ ~	GASKET,DIAPHRAGM	1	
9-16	60325001200	VALVE,NEEDLE	1	
9-21	46325006200	SPRING,IDLE ADJUST	1	
9-22	46225016200	SCREW,IDLE ADJUST	1	
9-23	46025027200	SCREW,HIGH ADJUST	1	
9-24	48525040200	SPRING,ADJUST,HIGH	1	
9-25	54825012200	SCREW,SET	4	
	65025001910	KIT,CARB REPAIR	1	
	65225001900	KIT,GASKET/DIAPHRAGM	1	



ITEM	PART NUMBER	DESCRIPTION	QTY	COMMENTS
10-8	99416050141	SCREW,5X14/WS	2	
10-11	0973290020	COVER,OIL PUMP	1	
10-12	51532710200	PIPE,OIL,B	1	
10-13	0843290020	GEAR,SCREW	1	
10-14	56701700201	SPONGE,AIR VENT	1	
10-15	1443290290	PUMP,OIL	1	
10-16	48832710210	GROMMET	1	
10-17	50132710210	ADJUSTER,OIL PUMP	1	
10-18	99967006000	O-RING,P-6	1	
10-19	0883277A91	SET,OIL PUMP	1	
10-20	99967006000	O-RING,P-6	1	
10-36	99072050144	SCREW,TAPPING,5X14	1	
10-38	70007105020	PIPE,VINYL	1	
10-39	12532710200	CATCHER,CHAIN	1	
10-42	99075045144	SCREW, TAPPING,4X14	2	

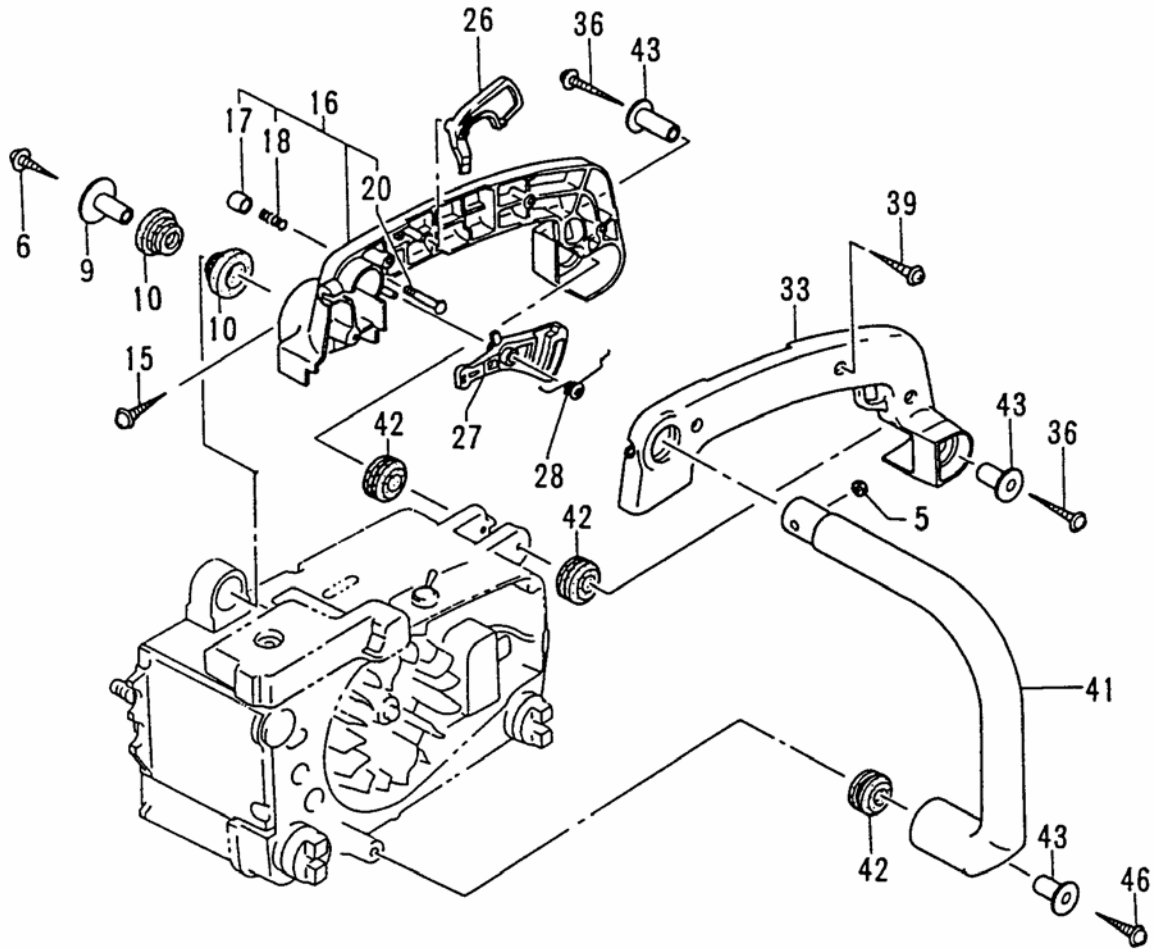


- | |
|------------------|
| 12" Bar & Chain |
| Combo = 844001 |
| Bar = 120SDEA041 |
| Chain = 91VG045X |
| 14" Bar & Chain |
| Combo = 844002 |
| Bar = 140SDEA041 |
| Chain = 91VG052X |
| 16" Bar & Chain |
| Combo = 844004 |
| Bar = 160SDEA041 |
| Chain = 91VG057X |

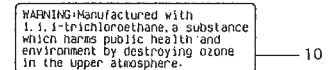
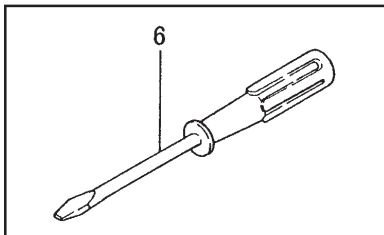
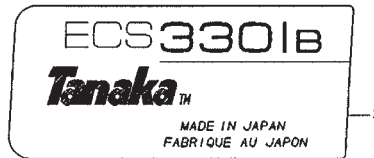
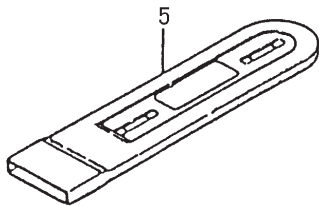
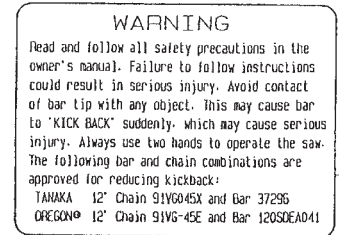
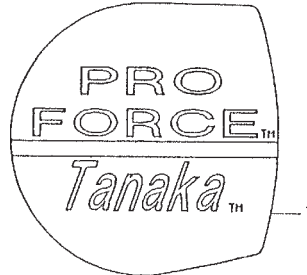
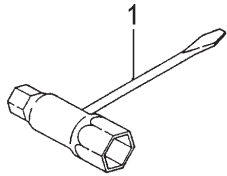


Units after S/N C110351
(Chain tensioner moved
the side of the cover)

ITEM	PART NUMBER	DESCRIPTION	QTY	COMMENTS
11-2	12132530200	NUT,CLAMP,BAR	1	
11-4	2870170081	CLUTCH	1	
11-5	99962101301	BEARING,NEEDLE,101310	1	
11-6	31032710200	HOUSING,CLUTCH,3/8"	1	
11-7	35804050201	WASHER,CLUTCH	1	
11-21	34501700200	SHOE,CLUTCH	2	
11-22	34601700200	BOSS,CLUTCH	1	
11-23	34201700200	SPRING,CLUTCH	2	
11-24	3480170021	PLATE,CLUTCH A	2	
11-25	99274004143	RIVET	2	
11-31	99341040101	SCREW,TAPPING,4X10	1	
11-32	4663271021	GUIDE PLATE A	1	~C110350
11-32	4613290820	GUIDE PLATE A	1	C110351~
11-33	11632710900	BOLT,CHAIN TENSION,ASS'Y	1	
11-37	5113290020	COLLAR,CRANKSHAFT	1	
11-45	99341040101	SCREW,TAPPING,4X10	1	C110351~
11-46	0403291190	CASE,SIDE ASS'Y	1	~C110350
11-46	0403291191	CASE,SIDE ASS'Y	1	C110351~
11-47	4623291120	PLATE,GUIDE A	1	C110351~
11-48	99330026050	SCREW,2.6x5	1	C110351~
11-49	3653291180	HANDLE,BRAKE	1	
11-50	1163291180	TENSIONER	1	C110351~
11-51	3017200020	GEAR,A	1	C110351~
11-52	3753290021	COVER,BRAKE LINK,BLACK	1	
11-54	3743290020	SPRING,BRAKE	1	
11-55	3863290180	METAL,BRAKE HOLDING	1	
11-56	99905300980	BEARING,NEEDLE	1	
11-57	3793290180	LINK,BRAKE	1	
11-58	3783290020	BAND,BRAKE	1	
11-59	47010246200	COLLAR	1	
11-60	0313290120	COLLAR	1	
11-61	0393290181	COVER,SIDE	1	
11-62	3883290020	SPRING,BRAKE LEVER	1	
11-63	99341040151	SCREW,4X15	3	
11-64	1163271090	BOLT,CHAIN TENSION,ASS'Y	1	



ITEM	PART NUMBER	DESCRIPTION	QTY	COMMENTS
12-5	99178040010	NUT, LOCK 4	1	
12-6	99073050404	SCREW, TAPPING, 5X40	1	
12-9	27532710201	COLLAR, DAMPER, A	1	
12-10	21932750200	DAMPER, A	2	
12-15	99415040302	SCREW, 4X30, P-S	1	
12-16	0113290080	HANDLE, REAR B	1	
12-17	72532161202	CAP, PUSH PIN	1	
12-18	06632300201	SPRING, STOPPER	1	
12-20	06432530200	PIN, PUSH	1	
12-26	2573291020	LEVER, SAFETY	1	
12-27	0603291020	LEVER, THROTTLE	1	
12-28	06132710200	SPRING, THROTTLE LEVER	1	
12-33	0103290020	HANDLE, REAR A	1	
12-36	99073050354	SCREW, TAPPING, 5X35	1	
12-39	99341040151	SCREW, 4X15	3	
12-41	2093294620	HANDLE, FRONT	1	
12-42	26632750200	DAMPER, B	3	
12-43	27632710201	COLLAR, DAMPER B	3	
12-46	99073050354	SCREW, TAPPING, 5X35	1	



ITEM	PART NUMBER	DESCRIPTION	QTY	COMMENTS
13-1	01329325400	SPANNER,BOX,10X19	1	
13-5	94332713200	COVER,BAR	1	
13-6	081293297U	DRIVER,MINUS,4x50	1	

ITEM	PART NUMBER	DESCRIPTION	QTY	COMMENTS
14-1	9503291920	DECAL,PRO FORCE	1	
14-2-1	9063291920	DECAL,MODEL	1	~S064661
14-2	9063291G20	DECAL,MODEL	1	S064662~
14-4	9093265320	DECAL,CAUTION A	1	
14-8	9073290920	DECAL,WARNING	1	
14-10	9200650A20	DECAL,WARNING	1	~Q212436